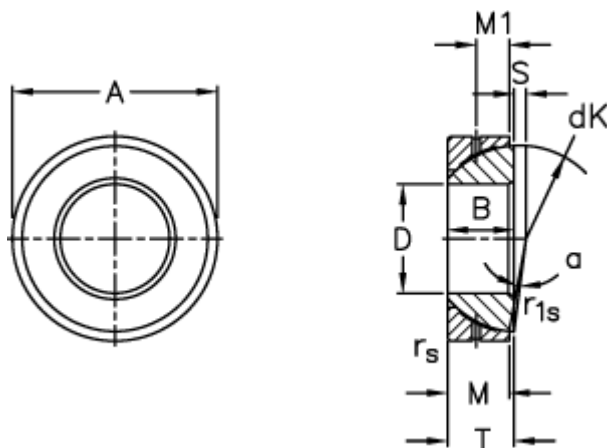


Article number: 03509025

Description: Fluro Rod end GE 25SX

Measures



A	= 47 0 -0,014	S	= 0.6
B	= 15	Static load C0 (kN)	= 236
D	= 25 0 -0,012	T	= 15 +0,25 -0,40
dK	= 42	Tilt angle	= 2.5
Dynamic load C (kN)	= 47.5	Weight	= 148
M	= 14		
M1	= 7.5		
rs, r1s min	= 1		